



TPL TAPE LAYER

Features:

- All-steel construction
- Used for laying single sided tape
- Holds 1" or 2" width
- Silver

PARTS:

- 1 Handle (3 pcs)
- 1 Body Assembly
- 1 Tape Wheel
- 2 Retaining Disks
- 1 Screw Bolt
- 2 Springs
- 2 Washers
- 4 Screw Nuts
- 1 Tape Depresser

Instructions:

The Champion Sports Tape Layer helps you create perfectly straight lines on your gym floor.

1. The applicator is disassembled for shipping and will need to be reassembled for use.
2. Connect the middle section, base section, and handle section. Rest the base section on one side, and fit the prongs of the handle section around the middle of the base section. Then, insert the screw bolt. Figure 1
3. Be sure to use the washers in the proper location. Figure 2.

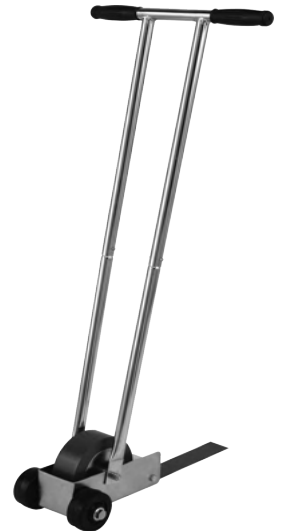


Figure 1

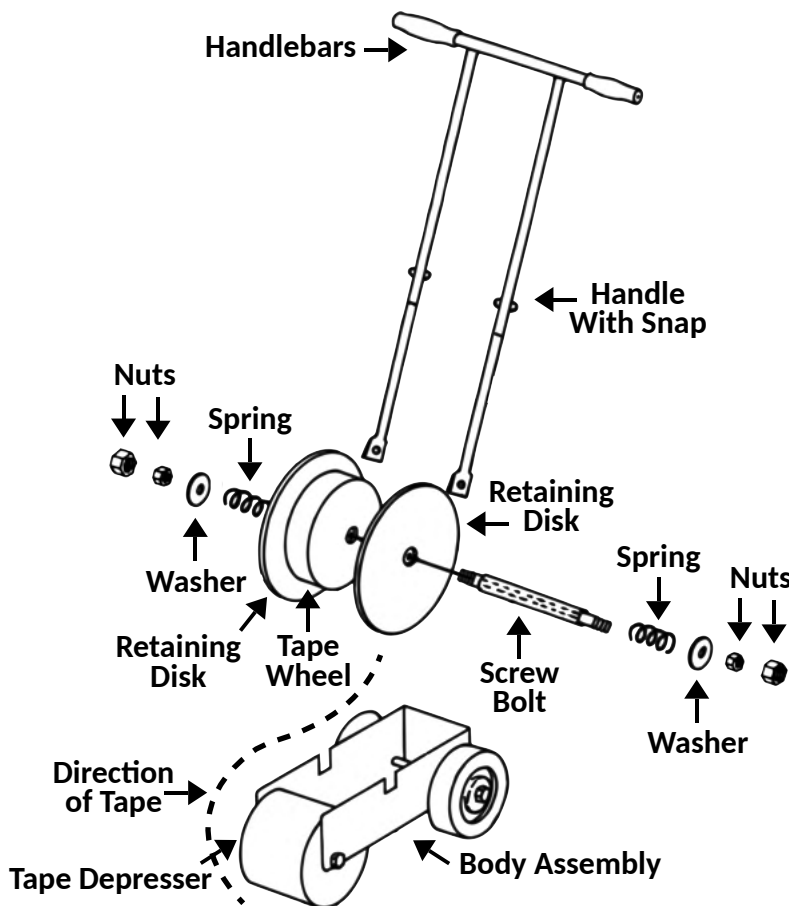


Figure 2

